

(No Model.)

4 Sheets—Sheet 1.

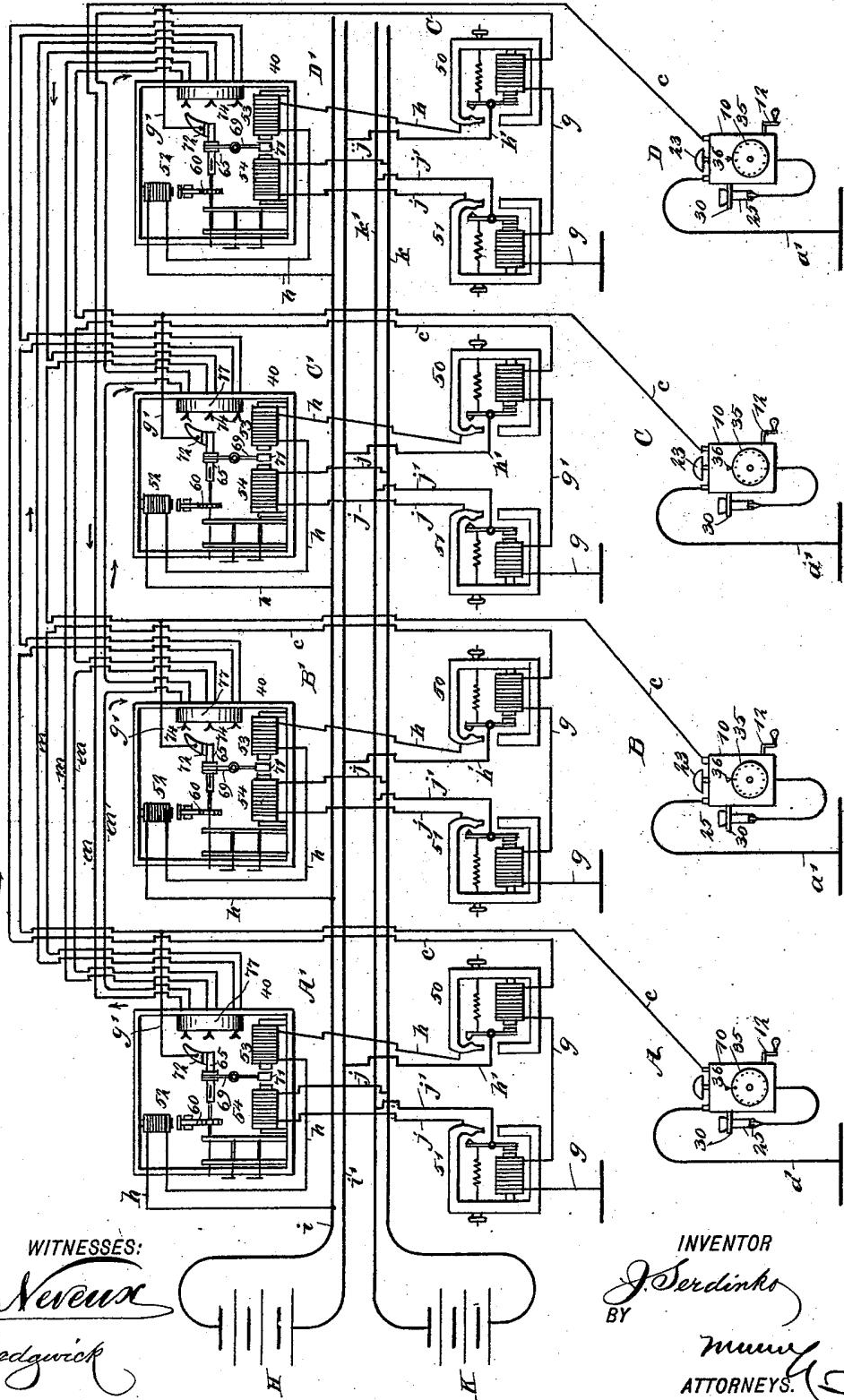
J. SERDINKO.

AUTOMATIC TELEPHONE EXCHANGE SYSTEM.

No. 510,195.

Patented Dec. 5, 1893.

Fig. 1



WITNESSES:

C. Neveu

C. Sedgwick

INVENTOR

J. Serdinko

BY

Murray
ATTORNEYS.

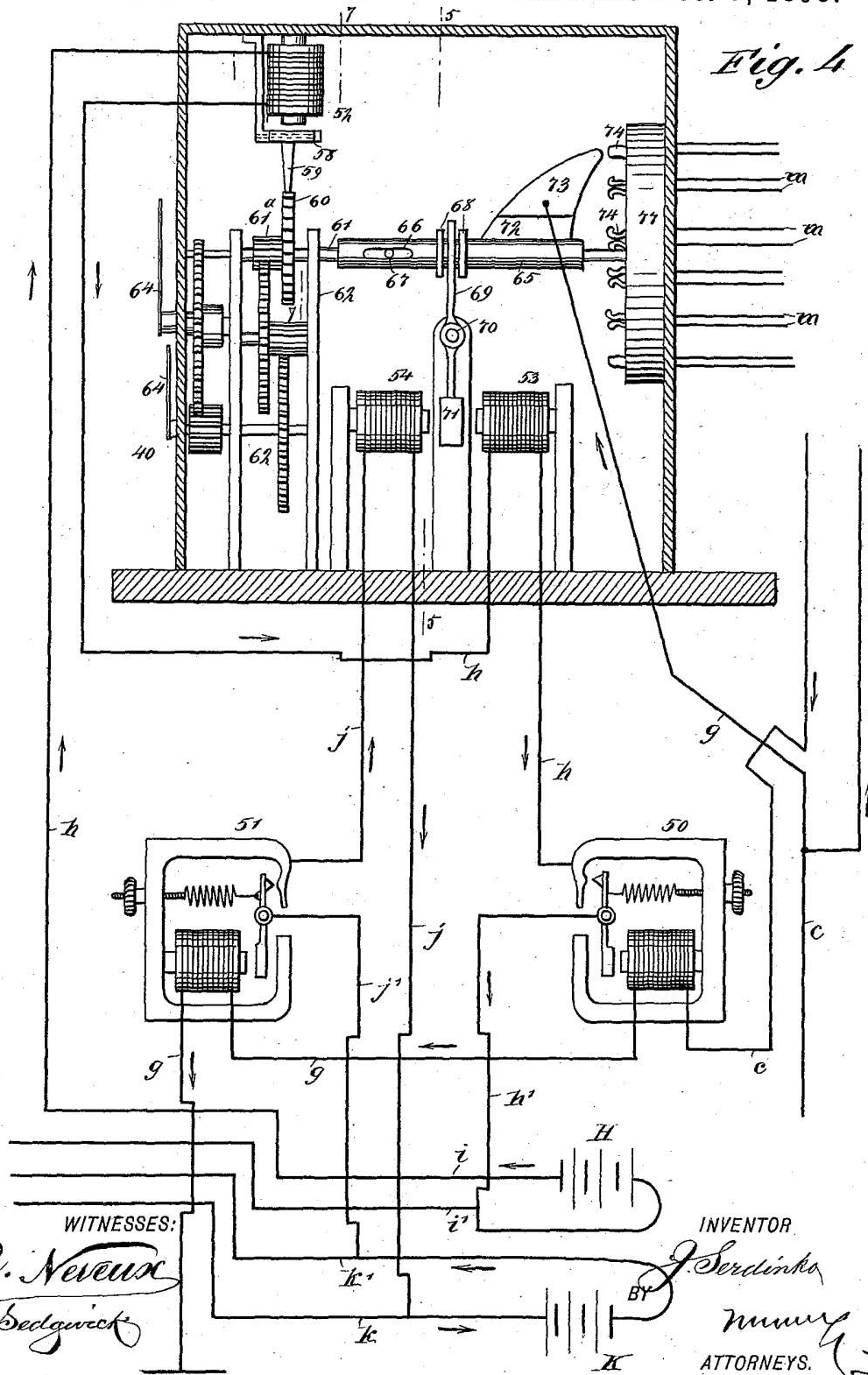
(No Model.)

4 Sheets—Sheet 3.

J. SERDINKO.
AUTOMATIC TELEPHONE EXCHANGE SYSTEM.

No. 510,195.

Patented Dec. 5, 1893.



WITNESSES:
C. Neveu
E. Sedgwick

INVENTOR,
J. Serdinko
BY *Murray*
ATTORNEYS.

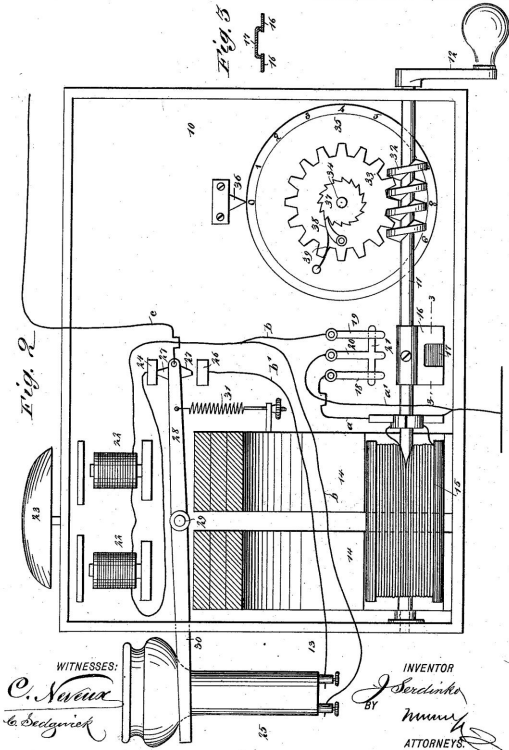
(No Model.)

4 Sheets—Sheet 2.

J. SERDINKO.
AUTOMATIC TELEPHONE EXCHANGE SYSTEM.

No. 510,195.

Patented Dec. 5, 1893.



(No Model.)

4 Sheets—Sheet 4.

J. SERDINKO.
AUTOMATIC TELEPHONE EXCHANGE SYSTEM.

No. 510,195.

Patented Dec. 5, 1893.

Fig. 5

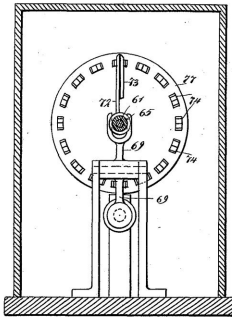


Fig. 6

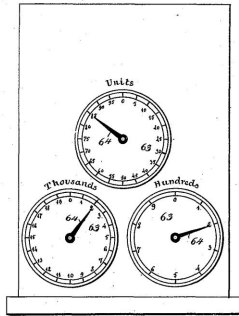


Fig. 7

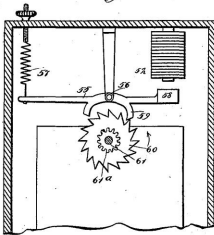
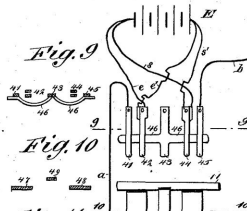
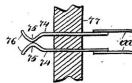


Fig. 8



WITNESSES:

C. Newell
C. Sedgwick



INVENTOR

J. Serdinko
BY *Mumford*
ATTORNEYS.